

# Industrial bread line stainless steel



Stainless steel heavy-duty bread line. All machines are designed for continual bread processing and are well known for high quality materials, reliable availability and excellent baking results. The line has a capacity of up to 3000 pcs/hour. All machines are produced in Sweden according to the CE-regulations.



# Industrial bread line stainless with MO-360

## SD-300 Suction dough divider



- Stainless steel
- PLC control with touch screen
- Frequency controlled drive
- Very accurate scaling
- Easy to convert between 1-pocket and 2-pocket drive

### Options:

- Non-stick coated hopper
- Flour duster
- 225 l hopper
- Outfeed roller for sticky dough

		SD 300	SD 300 XL
Weight range	1-pocket	100-1000 gr	250-2300 gr
Weight range	2-pockets	40-400 gr	150-1150 gr
Capacity	1-pocket	750-1500 pcs/hour	
Capacity	2-pockets	1500-3000 pcs/hour	

## CR-310GM Conical rounder



- Stainless steel
- Centrally adjustable tracks
- Non-stick coated cone and tracks
- Rounding length up to 4 meters
- Patented

### Options:

- Frequency converter
- Flour duster
- Cold/hot air blowing unit.
- Outfeed conveyor
- Outfeed roller for sticky dough

Weight range	30-1800 gr
Capacity	Up to 3600 pcs/hour

## IPP Intermediate pocket prover



- Stainless steel
- Non-stick coated transfer box
- Double infeed V-belt conveyer
- Electric control panel
- Central electric cabinet

### Options:

- Reversible outfeed conveyer
- Humidification system
- Modular system, up to 940 pockets
- UV-light

Weight range	100-1500 gr
Capacity	Up to 3000 pcs/hour

## MO-360 Industrial Moulder

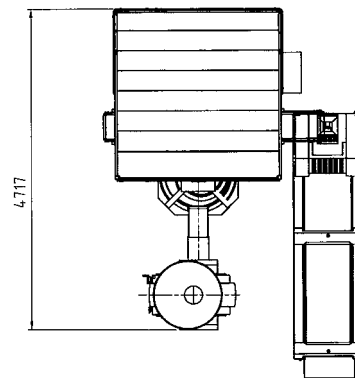
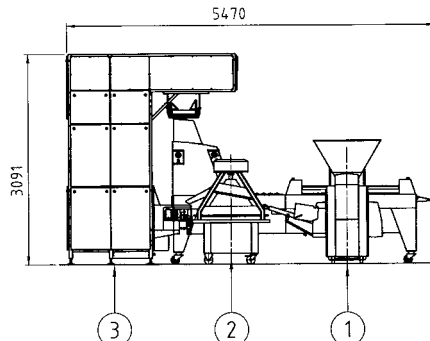
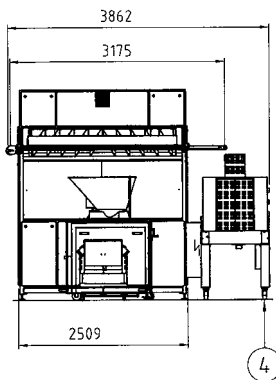


- Stainless steel
- State of the art Moulder for industrial bakeries
- Exact settings via servo motors on infeed system, rollers, pressure board and side guides
- Separate drives on sheeting and moulding station
- Gives the products almost seamless closure

### Options:

- No options, all included

Weight range	30-1800 gr
Capacity	Up to 3600 pcs/hour



1. SD-300
2. CR-310 GM
3. IPP
4. MO-360